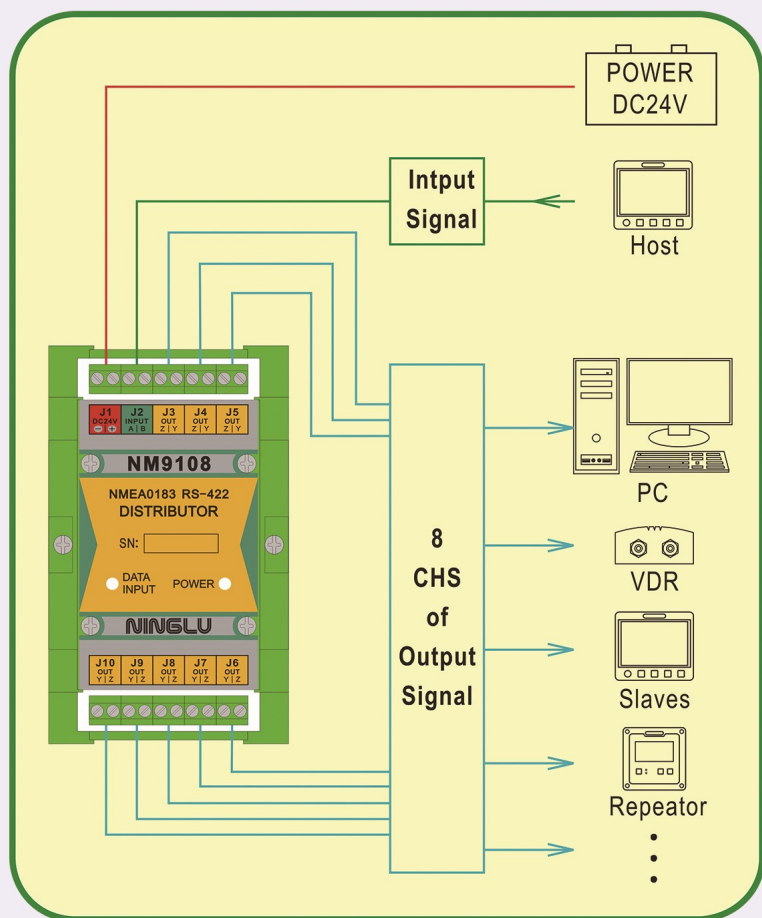
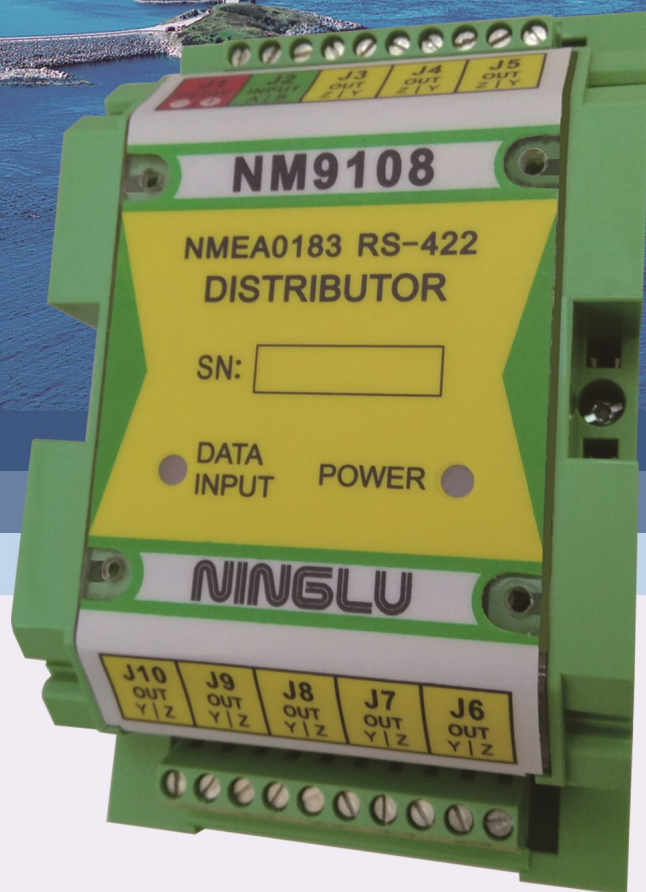


*Convey more
than
you want!*



NM9108 NMEA0183 DISTRIBUTOR

NM9108 is a very convenient and practical tool for distributing NMEA0183 signals.

NM9108 is installed in the standardized UM module, which is produced by phoenixcontact. So it is more convenient to mount on the DIN rail. Also the pluggable connectors are easier for wiring.

NM9108 has status LEDs, confirming correct connection of input data and power on.

www.ninglutech.com

NINGLU

Features

- ◆ Simple and compact design
- ◆ Easy installation on the DIN TS35 rail
- ◆ Compatible with all NMEA0183 versions
- ◆ Pluggable screw terminals for quick and easy installation
- ◆ LED indication of input signals and power supply

Specification

- ◆ Power supply: 24VDC (18 to 33VDC)
- ◆ Number of input: 1
- ◆ Number of output: 8
- ◆ Input/Output signal speed: up to 115200 bps
- ◆ Dimension: 128mm (L) × 77mm (W) × 50mm (H)
- ◆ Mounting: DIN TS35/TH35 rail
- ◆ Galvanic isolation: power supply 1, 5Kvdc
- ◆ Short circuit output protection

Installation Dimensions

Unit: mm

